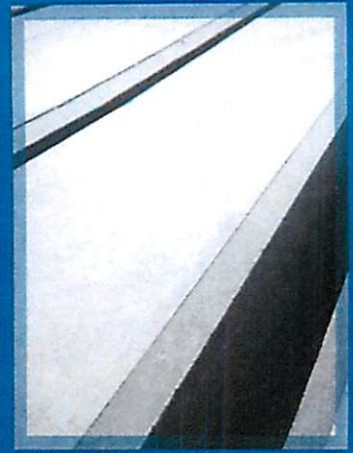


ROCKCURB

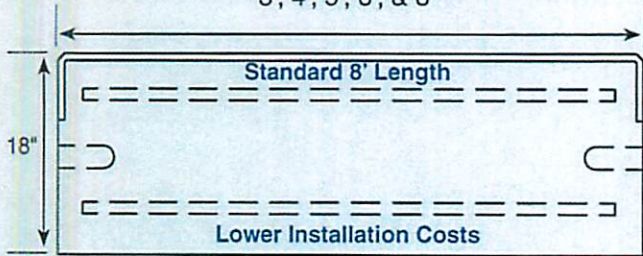
The Toughest Name in Precast Concrete Curbing

Specifications:

Concrete curb shall be **ROCKCURB**, precast concrete curbing as manufactured by Scituate Concrete Products or approved equal. The curbing shall yield 5,000 psi in 28 days minimum. Controlled 6 to 7 percent entrained air, reinforcement: 2 #4 rebars design located. Fiber enhancement, plus high range water reducing admixture. Install **ROCKCURB** compacted base as per manufacturer's recommendations.



Also available in straight lengths
3', 4', 5', 6', & 8'

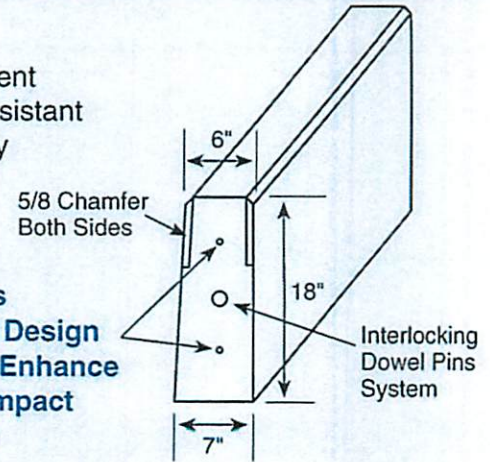


Standard size: 18"H x 7"W
with 1" in diameter x 3" deep dowel hole.

Easy to install Standard 8' length, Less Joints

- 2 #4 Rebar
- Fiber Reinforcement
- Higher Impact Resistant
- Structural Integrity

2 #4 Rebars
Reinforced Design
Located to Enhance
Load and Impact
Deterrence



Special Additional Units Available

